

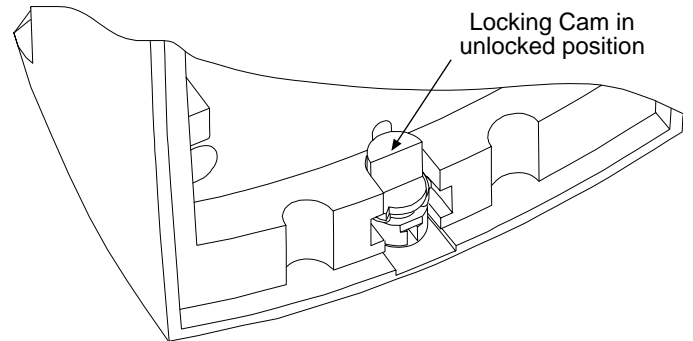
Instructions for Attaching the OD850 Detection Unit to its Mounting Plate

The instructions on this card clarify the procedure (refer to section 7.0 of the Installation Instructions) for attaching the detection unit to the mounting plate before walk testing or operating the detector.

- 1) Check the unit to verify that the Locking Cam is in the unlocked position. See the illustration.

NOTE: The Locking Cam is on the bottom of the detection unit.

- 2) If the Locking Cam is not in the unlocked position, use a small flat-blade screwdriver to turn the cam counterclockwise until it stops rotating.
- 3) After all wiring connections (refer to section 5 of the Installation Instructions) and all desired DIP switch settings (refer to section 6 of the Installation Instructions) have been made, push the detection unit back over the mounting plate until it seats firmly. If the unit will not seat tightly against the mounting plate, verify that the Locking Cam is in the unlocked position and that no wires are caught between the detection unit and the mounting plate.
- 4) Slide the detection unit down until it snaps into place.
- 5) Using a small flat-blade screwdriver, turn the cam 180° clockwise until it stops rotating. If the cam resists turning in the clockwise direction, the detection unit needs to be slide further down onto the mounting plate.
- 6) With the Locking Cam locked, the detector is ready for walk testing or operation.



detection systems

A member of the
Bosch Group

P/N 50691B

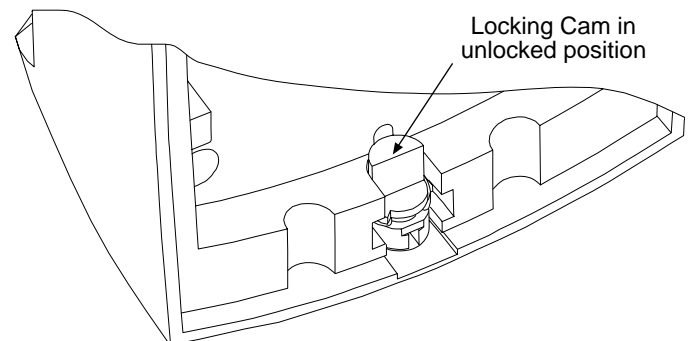
Instructions for Attaching the OD850 Detection Unit to its Mounting Plate

The instructions on this card clarify the procedure (refer to section 7.0 of the Installation Instructions) for attaching the detection unit to the mounting plate before walk testing or operating the detector.

- 1) Check the unit to verify that the Locking Cam is in the unlocked position. See the illustration.

NOTE: The Locking Cam is on the bottom of the detection unit.

- 2) If the Locking Cam is not in the unlocked position, use a small flat-blade screwdriver to turn the cam counterclockwise until it stops rotating.
- 3) After all wiring connections (refer to section 5 of the Installation Instructions) and all desired DIP switch settings (refer to section 6 of the Installation Instructions) have been made, push the detection unit back over the mounting plate until it seats firmly. If the unit will not seat tightly against the mounting plate, verify that the Locking Cam is in the unlocked position and that no wires are caught between the detection unit and the mounting plate.
- 4) Slide the detection unit down until it snaps into place.
- 5) Using a small flat-blade screwdriver, turn the cam 180° clockwise until it stops rotating. If the cam resists turning in the clockwise direction, the detection unit needs to be slide further down onto the mounting plate.
- 6) With the Locking Cam locked, the detector is ready for walk testing or operation.



detection systems

A member of the
Bosch Group

P/N 50691B