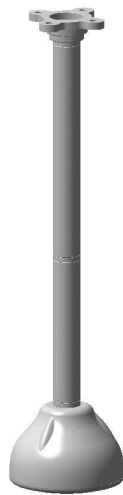


# VDA-832FHD-PMT Pipe Mount

www.boschsecurity.com



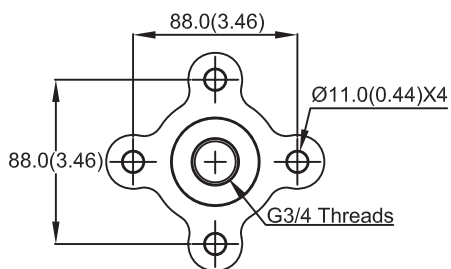
**BOSCH**  
Invented for life

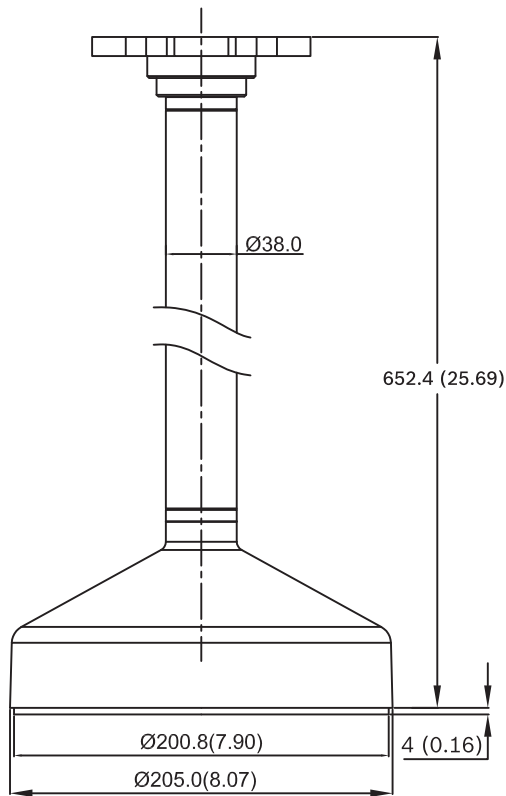


- ▶ Hollow core for cable-free appearance
- ▶ Tough 4-bolt anchoring
- ▶ Anti-rust treated

## Installation/configuration notes

mm (in)





### Parts included

The packaging contains:

Item
1x Mount
Attachment components

### Technical specifications

Construction material	Aluminum alloy
Finish	RAL 9003 signal white

### Ordering information

#### VDA-832FHD-PMT Pipe Mount

Pendant pipe mount bracket for HD FlexiDomes

Order number **VDA-832FHD-PMT**

#### Represented by:

**Americas:**  
 Bosch Security Systems, Inc.  
 130 Perinton Parkway  
 Fairport, New York, 14450, USA  
 Phone: +1 800 289 0096  
 Fax: +1 585 223 9180  
 security.sales@us.bosch.com  
 www.boschsecurity.us

**Europe, Middle East, Africa:**  
 Bosch Security Systems B.V.  
 P.O. Box 80002  
 5617 BA Eindhoven, The Netherlands  
 Phone: + 31 40 2577 284  
 Fax: +31 40 2577 330  
 emea.securitysystems@bosch.com  
 www.boschsecurity.com

**Asia-Pacific:**  
 Robert Bosch (SEA) Pte Ltd, Security  
 Systems  
 11 Bishan Street 21  
 Singapore 573943  
 Phone: +65 6571 2808  
 Fax: +65 6571 2699  
 apr.securitysystems@bosch.com  
 www.boschsecurity.asia

**China:**  
 Bosch (Shanghai) Security Systems Ltd.  
 203 Building, No. 333 Fuquan Road  
 North IBP  
 Changning District, Shanghai  
 200335 China  
 Phone +86 21 22181111  
 Fax: +86 21 22182398  
 www.boschsecurity.com.cn

**America Latina:**  
 Robert Bosch Ltda Security Systems Division  
 Via Anhanguera, Km 98  
 CEP 13065-900  
 Campinas, Sao Paulo, Brazil  
 Phone: +55 19 2103 2860  
 Fax: +55 19 2103 2862  
 latam.boschsecurity@bosch.com  
 www.boschsecurity.com